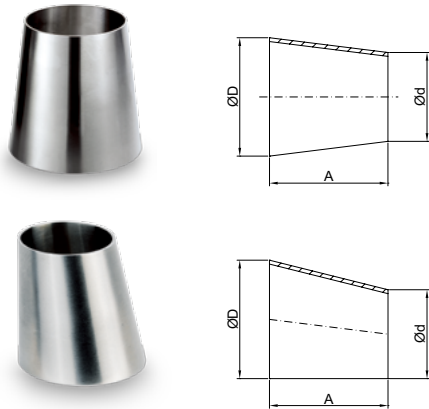




焊接式大小头短型  
Welded Reducer

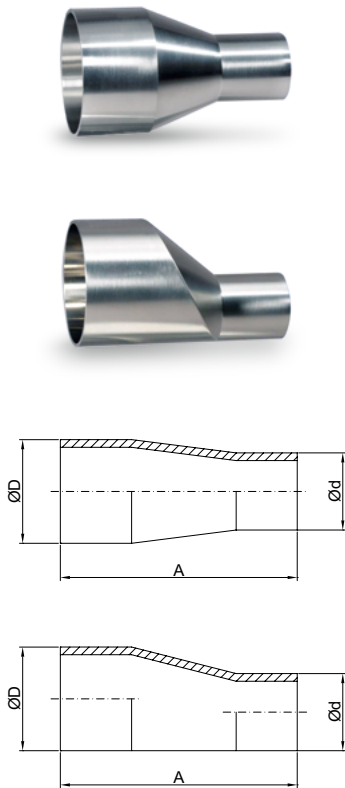


3A

No.KST-P029

Size	A	D	d
1.5"-1.0"	50.8	38.1	25.4
2.0"-1.0"	101.6	50.8	25.4
2.0"-1.5"	50.8	50.8	38.1
2.5"-1.5"	101.6	63.5	38.1
2.5"-2.0"	50.8	63.5	50.8
3.0"-1.5"	152.4	76.2	38.1
3.0"-2.0"	101.6	76.2	50.8
3.0"-2.5"	50.8	76.2	63.5
4.0"-2.0"	203.2	101.6	50.8
4.0"-2.5"	152.4	101.6	63.5
4.0"-3.0"	101.6	101.6	76.2
6.0"-3.0"	140	152.4	76.2
6.0"-4.0"	140	152.4	101.6

焊接式大小头加长型  
Welded Reducers (long Type)



3A

No.KST-P030

Size	A	D	d
1/2"-1/4"	101.6	12.7	6.35
1/2"-3/8"	101.6	12.7	9.53
3/4"-3/8"	101.6	19.1	9.53
3/4"-1/2"	101.6	19.1	12.7
1.0"-3/8"	114.3	25.4	9.53
1.0"-1/2"	114.3	25.4	12.7
1.0"-3/4"	101.6	25.4	19.1
1.5"-1/2"	139.7	38.1	12.7
1.5"-3/4"	127	38.1	19.1
1.5"-1.0"	127	38.1	25.4
2.0"-1/2"	196	50.8	12.7
2.0"-3/4"	184.2	50.8	19.1
2.0"-1.0"	184.2	50.8	25.4
2.0"-1.5"	133.4	50.8	38.1
2.5"-1/2"	247.7	63.5	12.7
2.5"-3/4"	235	63.5	19.1
2.5"-1.0"	235	63.5	25.4
2.5"-1.5"	184.2	63.5	38.1
2.5"-2.0"	139.7	63.5	50.8
3.0"-1/2"	298.5	76.2	12.7
3.0"-3/4"	311.2	76.2	19.1
3.0"-1.0"	285.8	76.2	25.4
3.0"-1.5"	235	76.2	38.1
3.0"-2.0"	190.5	76.2	50.8
3.0"-2.5"	139.7	76.2	63.5
4.0"-1.0"	393.7	101.6	25.4
4.0"-1.5"	342.9	101.6	38.1
4.0"-2.0"	298.5	101.6	50.8
4.0"-2.5"	247.7	101.6	63.5
4.0"-3.0"	196.9	101.6	76.2
6.0"-4.0"	254	152.4	101.6